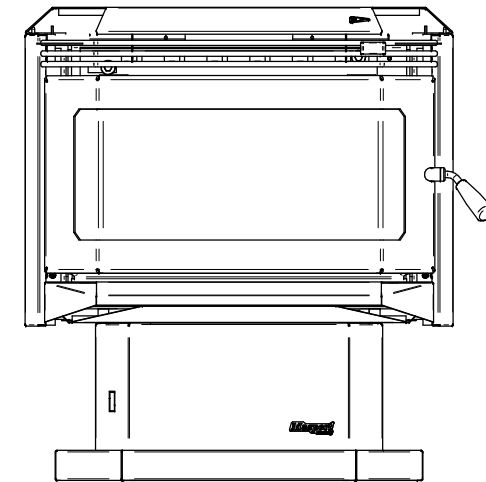
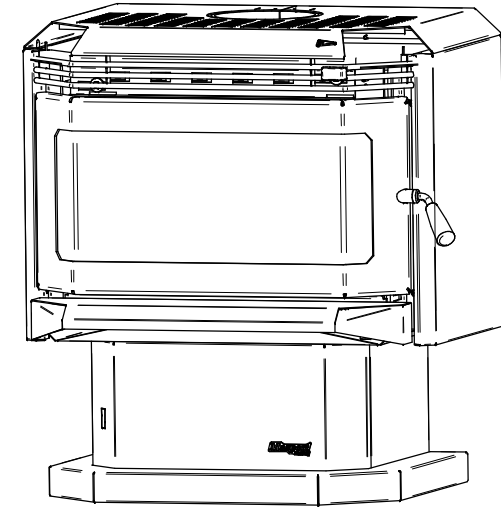
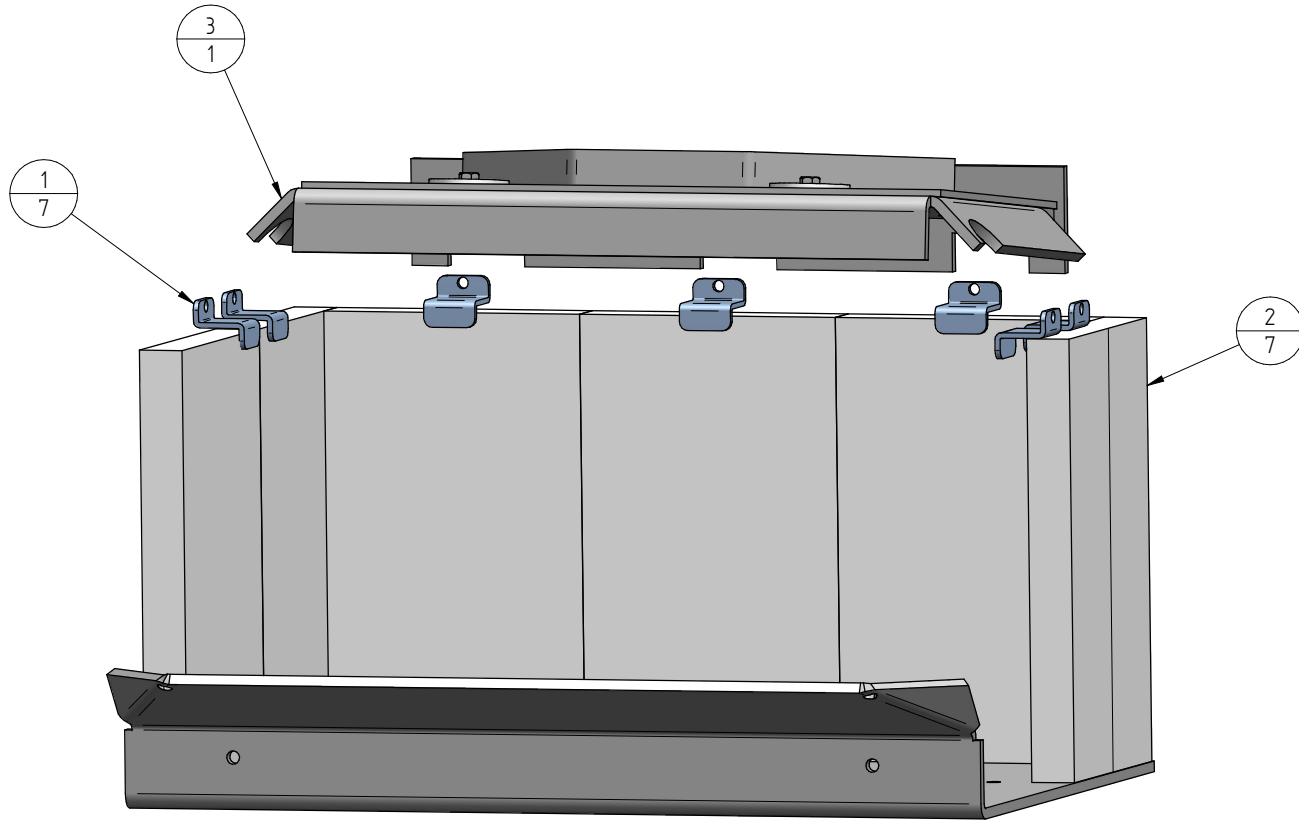


HESTIA CLEAN AIR BRICK LAYOUT			
Item	Part ID	Title	Quantity
1	HBA00118	HBA BRICK RETAINER	7
2	MIC00354	MIC BRICK	7
3	992081	BAFFLE ASS COMPL HESTIA C	1

BRICK INSTALLATION:
 (1) LOOSEN BRICK RETAINER SCREWS WITH 10MM SPANNER
 (2) POSITION BRICKS AS PER BRICK LAYOUT
 (3) TIGHTEN BRICK RETAINER SCREWS

PART NUMBER : HCA			REVISION LEVEL :
Amendment	Date	By	TOLERANCES :
			Decimal Places: 0 ± 0.5
			0.0 ± 0.2
			Angles Degrees: 0 ± 5°



**BRICK & BAFFLE LAYOUT FOR
 HESTIA CLEAN AIR MODELS**